



myWay
Future Of Light

Architecture Lighting

Rural Agri Ventures India Pvt. Ltd. (RAVI) is professional business incubation firm. RAVI has been set up to build a knowledge based, customer focused and technologically driven company to cater to the underserved, yet critical industries which will have a socio economic impact.

The company currently operates strategic business verticals in Renewable Energy, LED lighting and Agro Logistics. The company also provides institutional capital to underserved mission critical sectors by investing in commercially viable and socially impactful businesses that serve India. The company is promoted by Raakhe Kapoor Tandon, Founder of RAAS Capital.

RAVI's Renewable Energy And Efficient Lighting Business Has Launched "My Way" – Adorable, Superior Quality LED Lighting Products Offering Energy Efficient, Environment Friendly Technology And Cutting Edge Thermal Design Which Combined With A Two Year Warranty On All Our Products Promise to Light Up Your Lives.

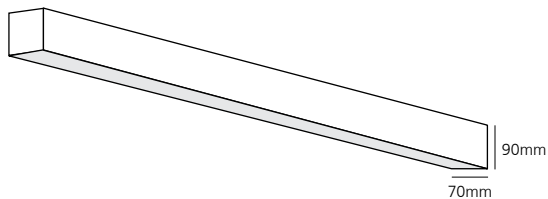
"Your Arena, I illuminate
Your solution, I accumulate
Your productivity, I accelerate
Your Way, I abbreviate



Believing in the light of life, let's
shine together with the most
thoughtful lighting solutions

STROKE 70

SURFACE MOUNTED



PRODUCT DESCRIPTION

- Housing made of extruded aluminium, with die cast aluminium end caps.
- Surface finish powder coated.
- Clear PMMA diffuser with high transmission factor.
- Suitable for surface mounted for true and false ceilings.
- LED available with dimmable option 1-10V or DALI.

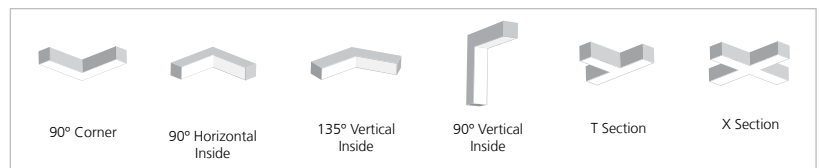
TECHNICAL SPECIFICATIONS

Product Dimension : 70mm x 90mm

Available Wattage : 20W / 30W / 40W

Model	Wattage	Color Temp.
MW LS 7020	20W	3000 / 4000 / 6000
MW LS 7030	30W	3000 / 4000 / 6000
MW LS 7040	40W	3000 / 4000 / 6000

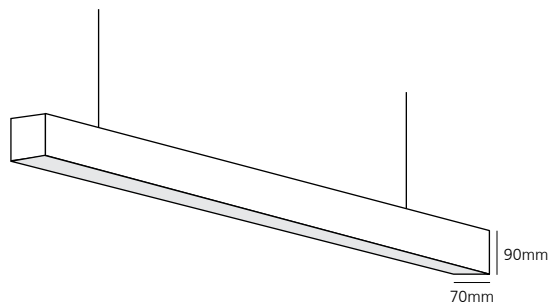
COLORS





STROKE 70

SUSPENDED



COLORS



ask for more...

PRODUCT DESCRIPTION

- Housing made of extruded aluminium, with die cast aluminium end caps.
- Surface finish powder coated.
- Clear PMMA diffuser with high transmission factor.
- Suitable for suspended true and false ceilings.
- LED available with dimmable option 1-10V or DALI.

TECHNICAL SPECIFICATIONS

Product Dimension : 70mm x 90mm

Available Wattage : 20W / 30W / 40W



Model	Wattage	Color Temp.
MW LP 7020	20W	3000 / 4000 / 6000
MW LP 7030	30W	3000 / 4000 / 6000
MW LP 7040	40W	3000 / 4000 / 6000



90° Corner



90° Horizontal Inside



135° Vertical Inside



90° Vertical Inside



T Section



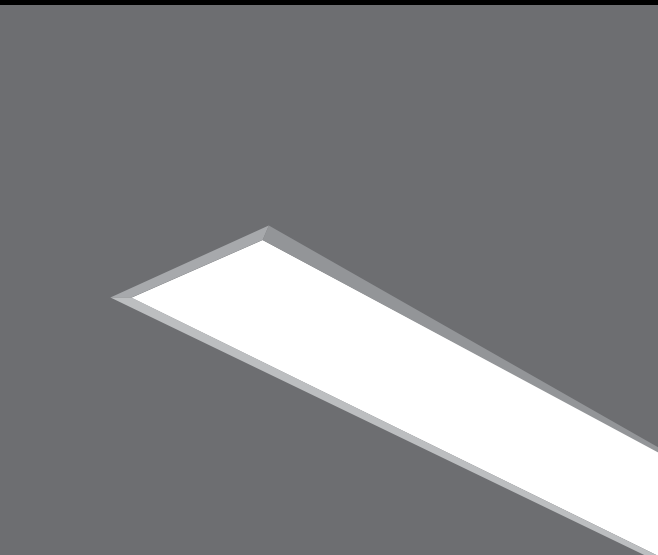
X Section





STROKE 70

RECESSED



PRODUCT DESCRIPTION

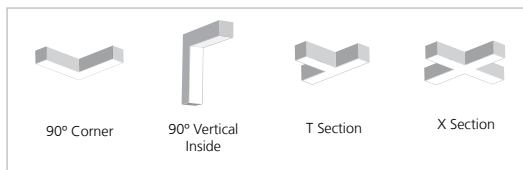
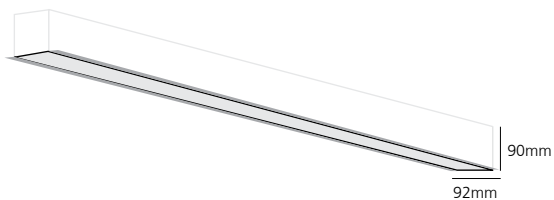
- Housing made of extruded aluminium, with die cast aluminium end caps.
- Surface finish powder coated or natural anodised.
- Clear PMMA diffuser with high transmission factor.
- Suitable for recessed false ceilings with 11mm trim.
- LED available with dimmable option 1-10V or DALI.

TECHNICAL SPECIFICATIONS

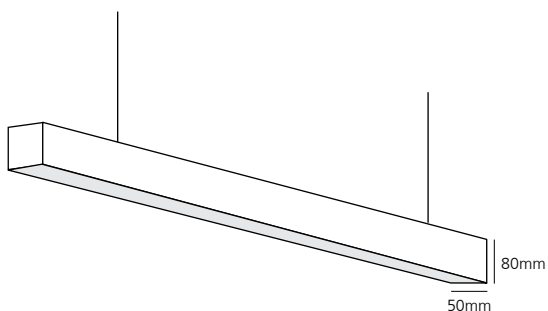
Product Dimension : 92mm x 90mm

Available Wattage : 20W / 30W / 40W

Model	Wattage	Color Temp.
MW LR 7020	20W	3000 / 4000 / 6000
MW LR 7030	30W	3000 / 4000 / 6000
MW LR 7040	40W	3000 / 4000 / 6000



STROKE 50 SUSPENDED



PRODUCT DESCRIPTION

- Housing made of extruded aluminium, with die cast aluminium end caps.
- Surface finish powder coated or natural anodised.
- Clear PMMA diffuser with high transmission factor.
- Suitable for suspended gypsum ceilings.
- LED available with dimmable option 1-10V or DALI.



TECHNICAL SPECIFICATIONS

Product Dimension : 50mm x 80mm

Available Wattage : 20W / 30W / 40W

Model	Wattage	Color Temp.
MW LP 5020	20W	3000 / 4000 / 6000
MW LP 5030	30W	3000 / 4000 / 6000
MW LP 5040	40W	3000 / 4000 / 6000

COLORS



90° Corner



90° Horizontal
Inside



135° Vertical
Inside



90° Vertical
Inside



T Section



X Section



STROKE 50

SURFACE MOUNTED



PRODUCT DESCRIPTION

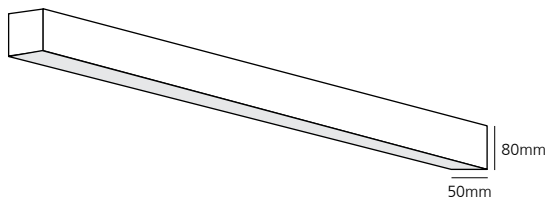
- Housing made of extruded aluminium, with die cast aluminium end caps.
- Surface finish powder coated.
- Clear PMMA diffuser with high transmission factor.
- Suitable for surface mounted on true and false ceilings.
- LED available with dimmable option 1-10V or DALI.

TECHNICAL SPECIFICATIONS

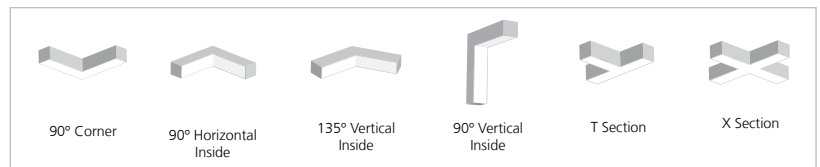
Product Dimension : 50mm x 80mm

Available Wattage : 20W / 30W / 40W

Model	Wattage	Color Temp.
MW LS 5020	20W	3000 / 4000 / 6000
MW LS 5030	30W	3000 / 4000 / 6000
MW LS 5040	40W	3000 / 4000 / 6000



COLORS





STROKE 50

RECESSED



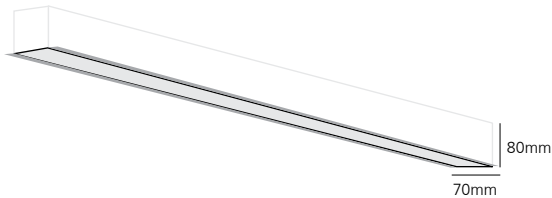
PRODUCT DESCRIPTION

- Housing made of extruded aluminium, with die cast aluminium end caps.
- Surface finish powder coated or natural anodised.
- Clear PMMA diffuser with high transmission factor.
- Suitable for recessed false ceilings.
- LED available with dimmable option 1-10V or DALI.

TECHNICAL SPECIFICATIONS

Product Dimension : 50mm x 80mm Trim : 10mm

Available Wattage : 20W / 30W / 40W



Model	Wattage	Color Temp.
MW LR 5020	20W	3000 / 4000 / 6000
MW LR 5030	30W	3000 / 4000 / 6000
MW LR 5040	40W	3000 / 4000 / 6000



90° Corner



90° Horizontal
Inside



135° Vertical
Inside



90° Vertical
Inside



T Section

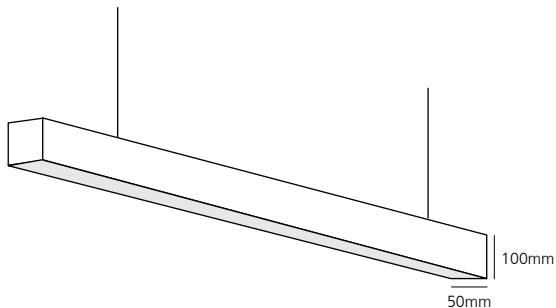


X Section



STROKE 50

UP & DOWN SUSPENDED



COLORS



PRODUCT DESCRIPTION

- Housing made of extruded aluminium, with die cast aluminium end caps.
- Surface finish powder coated.
- Clear PMMA diffuser with high transmission factor.
- Suitable for suspended true and false ceilings.
- LED available with dimmable option 1-10V or DALI.
- Direct Indirect illumination with 20% up and 80% down.



TECHNICAL SPECIFICATIONS

Product Dimension : 50mm x 100mm

Available Wattage : 20W / 30W / 40W

Model	Wattage	Color Temp.
MW LPUD 5020	20W	3000 / 4000 / 6000
MW LPUD 5030	30W	3000 / 4000 / 6000
MW LPUD 5040	40W	3000 / 4000 / 6000



CIRCLET

SURFACE MOUNTED



PRODUCT DESCRIPTION

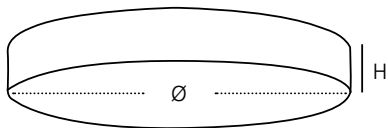
- Round CRCA Die formed housing, powder coated white, grey or black surface finish.
- Opal PMMA diffuser.
- High efficient LEDs with optionally dimmable 1-10V and DALI
- Mid power LEDs for uniform light distribution with CRI >80

TECHNICAL SPECIFICATIONS

Product Diameter : 400mm, 500mm, 600mm, 800mm, 900mm

Product Height : 90mm

Available Wattage : 30W / 45W / 56W / 80W



COLORS

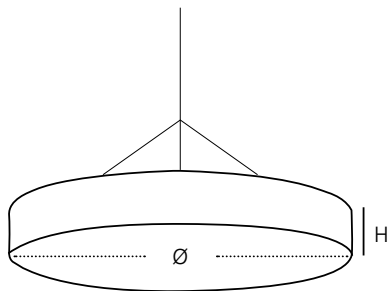


Model	Wattage	Color Temp.
MW CS 400 5030	30W	3000 / 4000 / 6000
MW CS 500 5030	50W	3000 / 4000 / 6000
MW CS 600 5056	56W	3000 / 4000 / 6000
MW CS 800 5080	80W	3000 / 4000 / 6000
MW CS 900 5080	80W	3000 / 4000 / 6000





CIRCLET SUSPENDED



COLORS



ask for more...

PRODUCT DESCRIPTION

- Round CRCA Die formed housing, powder coated white, grey or black surface finish.
- Opal PMMA diffuser.
- High efficient LEDs with optionally dimmable 1-10V and DALI
- Mid power LEDs for uniform light distribution with CRI >80

TECHNICAL SPECIFICATIONS

Product Diameter : 400mm, 500mm, 600mm, 800mm, 900mm

Product Height : 90mm

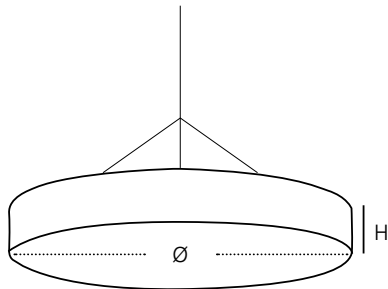
Available Wattage : 30W / 45W / 56W / 80W

Model	Wattage	Color Temp.
MW CP 400 5030	30W	3000 / 4000 / 6000
MW CP 500 5030	50W	3000 / 4000 / 6000
MW CP 600 5056	56W	3000 / 4000 / 6000
MW CP 800 5080	80W	3000 / 4000 / 6000
MW CP 900 5080	80W	3000 / 4000 / 6000



CIRCLET

UP & DOWN - SUSPENDED



COLORS



ask for more...

PRODUCT DESCRIPTION

- Round CRCA Die formed housing, powder coated white, grey or black surface finish.
- Opal PMMA diffuser.
- High efficient LEDs with optionally dimmable 1-10V and DALI
- Mid power LEDs for uniform light distribution with CRI >80

TECHNICAL SPECIFICATIONS

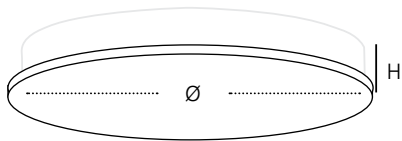
Product Diameter : 400mm, 500mm, 600mm, 800mm, 900mm

Product Height : 110mm

Available Wattage : 30W / 45W / 56W / 80W

Model	Wattage	Color Temp.
MW CPUD 400 5030	30W	3000 / 4000 / 6000
MW CPUD 500 5030	50W	3000 / 4000 / 6000
MW CPUD 600 5056	56W	3000 / 4000 / 6000
MW CPUD 800 5080	80W	3000 / 4000 / 6000
MW CPUD 900 5080	80W	3000 / 4000 / 6000

CIRCLET PLUS RECESSED



COLORS



ask for more...

PRODUCT DESCRIPTION

- Round CRCA Die formed housing, powder coated white, grey or black surface finish.
- Opal PMMA diffuser.
- High efficient LEDs with optionally dimmable 1-10V and DALI
- Mid power LEDs for uniform light distribution with CRI >80

TECHNICAL SPECIFICATIONS

Product Diameter : 400mm, 500mm, 600mm

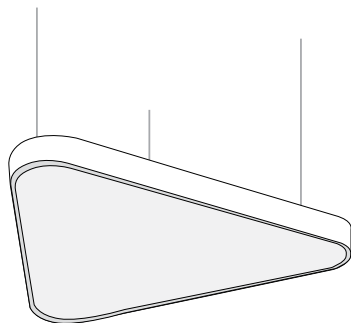
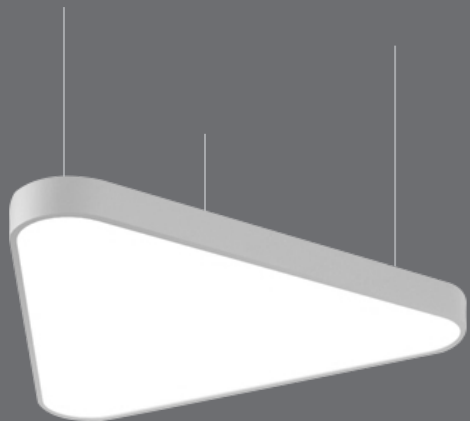
Product Height : 100mm

Available Wattage : 30W / 45W / 56W / 80W



Model	Wattage	Color Temp.
MW CPR 400 5030	30W	3000 / 4000 / 6000
MW CPR 500 5030	50W	3000 / 4000 / 6000
MW CPR 600 5056	56W	3000 / 4000 / 6000
MW CPR 800 5080	80W	3000 / 4000 / 6000
MW CPR 900 5080	80W	3000 / 4000 / 6000

SOFT TRIGO SUSPENDED



COLORS



ask for more...

PRODUCT DESCRIPTION

- CRCA Die formed housing, powder coated white, grey or black surface finish.
- Opal PC diffuser.
- High efficient LEDs with optionally dimmable 1-10V and DALI
- Mid power LEDs for uniform light distribution with CRI >80

TECHNICAL SPECIFICATIONS

Product Dimension : 400mm, 500mm, 600mm, 800mm, 900mm

Product Height : 90mm

Available Wattage : 20W / 36W / 50W / 70W



Model	Wattage	Color Temp.
MY TP 40020	20W	3000 / 4000 / 6000
MY TP 60036	36W	3000 / 4000 / 6000
MY TP 90050	50W	3000 / 4000 / 6000
MY TP 120070	70W	3000 / 4000 / 6000



2010

1970

3 STAR SUSPENDED



PRODUCT DESCRIPTION

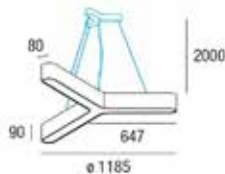
- 3 Star CRCA Die formed housing, powder coated white, grey or black surface finish.
- Opal PMMA diffuser.
- High efficient LEDs with optionally dimmable 1-10V and DALI
- Mid power LEDs for uniform light distribution with CRI >80

TECHNICAL SPECIFICATIONS

Product Length : 1200mm

Product Height : 80mm

Available Wattage : 36W



Model	Wattage	Color Temp.
MW 3S 36	36W	3000 / 4000 / 6000

COLORS



ask for more...

RING SUSPENDED



PRODUCT DESCRIPTION

- Round CRCA Die formed housing, powder coated white, grey or black surface finish.
- Opal PMMA diffuser.
- High efficient LEDs with optionally dimmable 1-10V and DALI.
- Mid power LEDs for uniform light distribution with CRI >80

TECHNICAL SPECIFICATIONS

Product Diameter : Outer Diameter - 600mm Inner Diameter - 400mm

Product Height : 90mm

Available Wattage : 20W / 30W / 40W

Model	Wattage	Color Temp.
MW RP 6020	20W	3000 / 4000 / 6000
MW RP 6030	30W	3000 / 4000 / 6000
MW RP 6040	40W	3000 / 4000 / 6000

COLORS





HEXA

SURFACE MOUNTED



PRODUCT DESCRIPTION

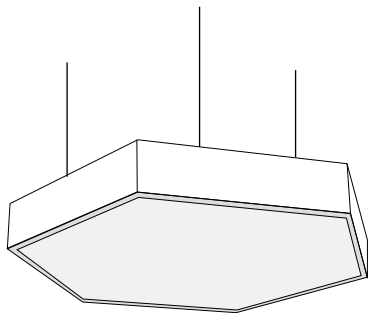
- Round CRCA Die formed housing, powder coated white, grey or black surface finish.
- Opal PMMA diffuser.
- High efficient LEDs with optionally dimmable 1-10V and DALI
- Mid power LEDs for uniform light distribution with CRI >80

TECHNICAL SPECIFICATIONS

Product Dimension : 400mm, 500mm, 600mm, 800mm, 900mm

Product Height : 100mm

Available Wattage : 30W / 45W / 56W / 80W



COLORS



Model	Wattage	Color Temp.
MW HP 4030	30W	3000 / 4000 / 6000
MW HP 5045	45W	3000 / 4000 / 6000
MW HP 6056	56W	3000 / 4000 / 6000
MW HP 8080	80W	3000 / 4000 / 6000
MW HP 9080	80W	3000 / 4000 / 6000



SMOOTH SQUARE SUSPENDED



PRODUCT DESCRIPTION

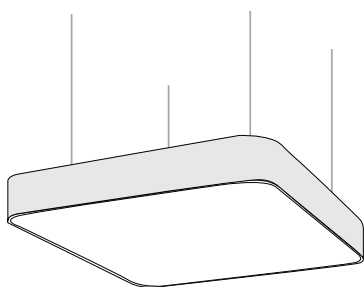
- CRCA Die formed housing, powder coated white, grey or black surface finish.
- Opal PMMA diffuser.
- High efficient LEDs with optionally dimmable 1-10V and DALI
- Mid power LEDs for uniform light distribution with CRI >80

TECHNICAL SPECIFICATIONS

Product Dimension : 595mm x 595mm

Product Height : 90mm

Available Wattage : 36W / 42W



COLORS



Model	Wattage	Color Temp.
MW SP 36	36W	3000 / 4000 / 6000
MW SP 42	42W	3000 / 4000 / 6000



BLOCK - EDGELIT RECESSED



PRODUCT DESCRIPTION

- LED Recessed sleek panel light
- Suitable for 600×600 module with integrated edge-lit LEDs
- Installed with high efficiency low glare acrylic sheet for optimum light distribution.

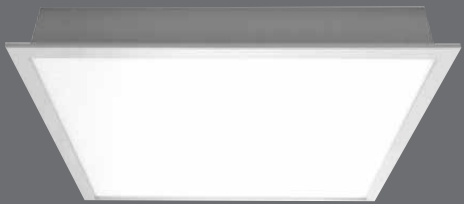
TECHNICAL SPECIFICATIONS

Product Dimension (ft) : 2x2 & 1x4

Available Wattage : 36W / 42W

Model	Wattage	Color Temp.
MW PSE 2x2	36W	3000 / 4000 / 6000
MW PSE 1x4	36W	3000 / 4000 / 6000
MW PSE 2x2	42W	3000 / 4000 / 6000
MW PSE 1x4	42W	3000 / 4000 / 6000

BLOCK - BACKLIT RECESSED



PRODUCT DESCRIPTION

- LED Recessed sleek panel light
- Suitable for 600x600 module with integrated edge-lit LEDs
- Installed with high efficiency low glare acrylic sheet for optimum light distribution.

TECHNICAL SPECIFICATIONS

Product Dimension (ft) : 2x2 & 1x4

Available Wattage : 36W / 42W

Model	Wattage	Color Temp.
MW PSB 2x2	36W	3000 / 4000 / 6000
MW PSB 1x4	36W	3000 / 4000 / 6000
MW PSB 2x2	42W	3000 / 4000 / 6000
MW PSB 1x4	42W	3000 / 4000 / 6000



DOWNLIGHT

RECESSED - TRACK



DAWN - C

PRODUCT DESCRIPTION

- Circular recessed downlighter.
- With integrated backlit LEDs Installed with high efficient low glare diffuser for optimum light distribution.
- Outer ring and Heat sink made up of die-cast aluminium painted in white color.
- Available Wattage : 6W, 9W, 12W, 18W

Model

MW DLSB-006 CW-RD
MW DLSB-006 WW-RD
MW DLSB-012 CW-RD
MW DLSB-012 WW-RD
MW DLSB-018 CW-RD
MW DLSB-018 WW-RD



DAWN - S

PRODUCT DESCRIPTION

- Square recessed downlighter.
- With integrated backlit LEDs Installed with high efficient low glare diffuser for optimum light distribution.
- Outer ring and Heat sink made up of die-cast aluminium painted in white color.
- Available Wattage : 6W, 9W, 12W, 18W

Model

MW DLSB-006 CW-SQ
MW DLSB-006 WW-SQ
MW DLSB-012 CW-SQ
MW DLSB-012 WW-SQ
MW DLSB-018 CW-SQ
MW DLSB-018 WW-SQ



GINNI

PRODUCT DESCRIPTION

- Sleek Round/Square panel downlights with integrated edge-lit LEDs installed with highly efficient low glare sheet for optimum light distribution.
- Available in die-cast aluminium housing with white powder coated finish.
- Available Wattage : 6W, 9W, 12W, 15W, 18W

Model

MW DLSE-006 CW-RD/SQ
MW DLSE-006 NW-RD/SQ
MW DLSE-006 WW-RD/SQ
MW DLSE-015 CW-RD/SQ
MW DLSE-012 CW-RD/SQ
MW DLSE-012 WW-RD/SQ
MW DLSE-018 CW-RD/SQ



FOKUS

PRODUCT DESCRIPTION

- Recessed LED (COB) downlight.
- The housing is made of designer die-cast aluminum trim.
- Specular finished reflector with high efficiency.
- Available Wattage : 6W, 10W, 14W, 20W

Model	
MW DLCB-006 CW-RD	MW DLCB-006 WW-RD
MW DLCB-010 CW-RD	MW DLCB-010 WW-RD
MW DLCB-014 CW-RD	MW DLCB-014 WW-RD
MW DLCB-020 CW-RD	MW DLCB-020 WW-RD



FOKUS ADJUSTABLE

PRODUCT DESCRIPTION

- Recessed adjustable COB downlight in circular shape made of die cast aluminium housing and has robust heat sink for excellent thermal management.
- It consist of high efficiency aluminium reflector to produce excellent light output.
- Available Wattage : 6W, 10W, 15W, 20W

Model	
MW DLCB-006 CW-AD	MW DLCB-006 WW-AD
MW DLCB-010 CW-AD	MW DLCB-010 WW-AD
MW DLCB-014 CW-AD	MW DLCB-014 WW-AD
MW DLCB-020 CW-AD	MW DLCB-020 WW-AD

NEO

PRODUCT DESCRIPTION

- Organic design with die cast housing and heatsink for efficient heat dissipation.
- Ideal for retail or hospitality.
- Curved deep diamond facet reflector with glass to cut glare Optical and thermal solution for high performance.
- Available Colors : White & Black
- Available Wattage : 15W, 20W, 25W, 35W

Model
MW COB TRACK-015 CW/WW
MW COB TRACK-020 CW/WW
MW COB TRACK-025 CW/WW
MW COB TRACK-035 CW/WW

DOWNLIGHT

SURFACE MOUNTED



ACE DIFFUSER

PRODUCT DESCRIPTION

- Surface mounted cylindrical diffused downlight suitable for retail, hospitality and residential application area.
- Suspended option is also available
- Available Wattage : 15W, 20W

Model

MW DLSS 015-WW RD/ACE	MW DLSS 015-CW RD/ACE
MW DLSS 015-CW RD/ACE	



GINNI SURFACE

PRODUCT DESCRIPTION

- Surface mounted cylindrical Diffused downlight suitable for retail, hospitality and residential application area.
- Suspended option is also available
- Available Wattage : 6W, 12W, 15W

Model

MW DLSS 006-WW RD/SQ	MW DLSS 006-CW RD/SQ
MW DLSS 012-WW RD/SQ	MW DLSS 012-CW RD/SQ
MW DLSS 015-WW RD/SQ	MW DLSS 015-CW RD/SQ



ACE COB-L

PRODUCT DESCRIPTION

- Surface mounted cylindrical diffused downlight suitable for retail, hospitality and residential application area.
- Suspended option is also available
- Available Wattage : 6W, 10W, 15W, 20W





ACE COB-3

PRODUCT DESCRIPTION

- Surface mounted cylindrical diffused downlight suitable for retail, hospitality and residential application area.
- Suspended option is also available
- Available Wattage : 6W, 10W, 15W, 20W



FOKUS AD-SQ

PRODUCT DESCRIPTION

- Recessed single/twin decorative LEDs, compact styling, clean fascia and enclosed precision die-cast lamp housing features throughout the SINGLE or DOUBLE HEAD range.
- Imparting a choice of configurations, energy efficient light sources and wattages available.
- Available Color : White powder coated finish with black fascia detail.
- Available Wattage : 12W, 30W

Model

MW DLCB-012-CW-SQ

MW DLCB-012-WW-SQ

MW DLCB-030-CW-SQ

MW DLCB-030-WW-SQ

TUBELIGHT

SURFACE MOUNTED



LOFTY

PRODUCT DESCRIPTION

- Enjoy environment friendly and long lasting tubelights in your homes & offices.
- Now Replace your old Florescent tubelights with modern MyWay LED
- Especially designed utilizing complex drivers while keeping aesthetics ,energy saving and cost -efficiency in mind.

Model
MW02-01-BTT5-010CW
MW02-01 BTT5-010WW
MW02-01 BTT5-018CW
MW02-01 BTT5-018WW

TECHNICAL SPECIFICATION

- Input Voltage : 230 V
- Driver : Integrated
- Colour Temp : 6500K
- IP Rating : IP20
- LED Life Span : 50,000 hrs
- Colour Rendering Index : 85
- Lumen OutPut : >90lm/W
- Beam Angle: 120



LOFTY - T8

PRODUCT DESCRIPTION

Enjoy environment friendly and long lasting tubelights in your homes & offices. Now Replace your old Florescent tubelights with modern MyWay LED Especially designed utilizing complex Drivers while keeping aesthetics, energy saving and cost -efficiency in mind.

TECHNICAL SPECIFICATION

- Input Voltage : 230 V
- Driver : Integrated
- Colour Temp : 6500K
- IP Rating : IP20
- LED Life Span : 50,000 hrs
- Colour Rendering Index : 85
- Lumen OutPut : >90lm/W
- Beam Angle : 120°

Model	Wattage	Color Temp.
MW02 -01-BTT8-010	10W	3000 / 4000 / 6000
MW02 -01-BTT8-018	18W	3000 / 4000 / 6000
MW02 -01-BTT8 G5-018	18W	3000 / 4000 / 6000

LED STRIP



Product Code : PRIX STTL

PRODUCT DESCRIPTION

Multipurpose LED Strips are especially designed to brighten up both indoor & Outdoor Spaces. These thin strips provide an excellent coloured outline to rooftops, entrances and walkways.

TECHNICAL SPECIFICATIONS

Input Voltage : 90-270 V
Driver : Isolated
Colours : WW,CW,R,G& B
IP Rating : IP20 & IP65
LED Life Span : 50,000 hrs
Colour Rendering Index : 85
Lumen OutPut : >90lm/W
Beam Angle : 120

Model	Wattage	Color Temp.
LED PRIX STTL-30- IP20	30W	CW / WW / RGB
LED PRIX STTL-70- IP20	70W	3000 / 4000 / 6000
LED PRIX STTL-70- IP65	70W	3000 / 4000 / 6000



TILE

PRODUCT DESCRIPTION

Surface mount light fixtures availability in various forms it is used for many residential purposes and often installed in hallways, bathrooms, foyers, game rooms, and walk-in closets

TECHNICAL SPECIFICATIONS

Dimension : 2x2Ft , 1x2Ft & 1x1Ft options with intergrated Driver
Input Voltage : 130-240V AC
Power Factor : >.95
Color Temp : 3000K, 3500K, 4000K
Lumen Output : 3550 lm per fixture
Efficacy : 70 lm/W+
Distribution type : Medium & Wide
Life : 50,000 hrs.
CRI : 80+

Model	Wattage	Color Temp.
MW PSS 2x2	42W	Cool White / Warm White
MW PSS 1x2	32W	Cool White / Warm White
MW PSS 1x1	24W	Cool White / Warm White

OUTDOOR LIGHTING



POLO

PRODUCT DESCRIPTION

- These are non integral type of Well Glass Fixture and are very durable.
- These are acknowledged for performance, reliable operations and maintainability.
- Furthermore, the fixtures are available in weather proof body with spike protection circuit.
- The fixtures offers bright light with the help of lumens tubes and can be used over long working hours.

TECHNICAL SPECIFICATION

- Power Consumption: 42W
- Lamp Type: LED
- Lumen / Watt: 207LM
- Color Temperature: 6500K
- Input Voltage Range: AC 100V - 240V
- Power Factor: 0.9
- Life Span: 50,000 hrs
- Beam Angle: 140°
- Replacement of: 125W HPMV / 70W MH

Model	Wattage	Color Temp.
MW WG	42W	Cool White



EDANA

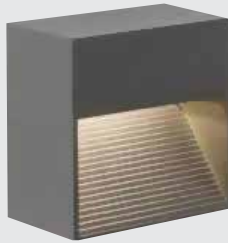
PRODUCT DESCRIPTION

- The precision optical system gives very low glare rating, while reducing light pollution.
- Designed for lighting entrances, footpaths and car parks.

TECHNICAL SPECIFICATION

- Size : Dia.-650mm,Height -425mm
- Diffuser : UV stabilised PPMA Clear & Textured
- Refelctor types : Deep drawn POT optics of high purity aluminium sheet electro-chemically polished & anodised
- Housing Types : Spun Aluminium
- Light Source :LED
- Wattage : 24W
- Source : Indirect
- IP Rating :Optical Compartment IP66

Model	Wattage	Color Temp.
MW PT HANK	24W	Cool White



MAC

Product Code : MW STL

PRODUCT DESCRIPTION

A small surface mounted Step light designed to use for Indoor applications .These Step lights are designed to illuminate stairs caes & paraphets .The luminaires have features such as long life, limited maintenance and constant lifetime performance.

TECHNICAL SPECIFICATIONS

Input Voltage : 130-240V AC IP Rating : IP20
 Power Factor : .95 Finish :White , Black & Grey
 Colour Temp : 2700K & 6000K Colour Rendering Index : 85
 LED Life Span : 50,000 hrs

Model	Wattage	Color Temp.
MW STL 2W	2W	3000 / 4000 / 6000
MW STL 3W	3W	3000 / 4000 / 6000



HANK

PRODUCT DESCRIPTION

- The precision optical system gives very low glare rating, while reducing light pollution. Designed for lighting entrances, footpaths and car parks.

TECHNICAL SPECIFICATION

- Size : Dia.-650mm,Height -425mm
- Diffuser:UV stablised PPMA Clear & Textured
- Refelctor types : Deep drawn POT optics of high purity aluminium sheet electro-chemically polished & anodised
- Housing Types : Spun Aluminium
- Light Source :LED
- Wattage : 24W
- Source : Indirect
- IP Rating :Optical Compartment IP66

Model	Wattage	Color Temp.
MW PT HANK	24W	Cool White

OUTDOOR LIGHTING



GOMIN

PRODUCT DESCRIPTION

- The precision optical system gives very low glare rating, while reducing light pollution.
- Designed for lighting entrances, footpaths and car parks.

TECHNICAL SPECIFICATION

- Size : Dia.-600mm, Height -500mm
- Diffuser: Flat clear Toughened Glass
- Refelctor types : Chemically polished & electrochemically anodised aluminium
- Housing Types : Die Cast Aluminium
- Light Source : LED
- Wattage : 24W
- Source : Indirect
- IP Rating : Optical Compartment IP66

Model	Wattage	Color Temp.
MW PT Gomin	24W	Cool White



ZICO

PRODUCT DESCRIPTION

- The precision optical system gives very low glare rating, while reducing light pollution.
- Designed for lighting entrances, footpaths and car parks.

TECHNICAL SPECIFICATION

- Size : Dia.-430mm, Height -500mm
- Diffuser : UV Stablized clear or opal one piece PMMA
- Reflector types : chemically polished & Electrochemically anodised aluminium
- Housing Types : Die Cast & Spun Aluminium
- Light Source : LED
- Wattage : 24W
- Source : Indirect
- IP Rating :Optical Compartment IP66

Model	Wattage	Color Temp.
MW PT ZICO	24W	Cool White



SIKIWI

PRODUCT DESCRIPTION

- Developed specifically to fulfill the demanding conditions of road and street lighting applications, are highly flexible and can be easily retrofitted onto existing street lighting infrastructure making it a state-of-the-art technology that is practical and affordable. Industry leading optical technology that minimizes light pollution and optimizes light distribution ensures that only the targeted areas are illuminated, reducing unwanted light trespass and sky glow.

TECHNICAL SPECIFICATION

- Input Voltage : 130-240V AC
- Power Factor: >.95
- Efficiency : >90%
- LED Life Span : 50,000 hrs
- IP Rating : IP65
- Surge Protection : Upto 7.5KVA
- Beam Angle : Symetric & Asymetric (optional)
- Lumen Output : >100lm/W
- LED : High Power LED

Model	Wattage	Color Temp.
MW SL 24	24W	Cool White
MW SL 45	45W	Cool White
MW SL 60	60W	Cool White
MW SL 90	90W	Cool White
MW SL 120	120W	Cool White
MW SL 150	150W	Cool White



FIJI

PRODUCT DESCRIPTION

- A small floodlight designed to use low voltage high power LED lamps.
- These floodlights are designed to illuminate plants, architectural details .The luminaires have features such as long life, limited maintenance and constant lifetime performance.

TECHNICAL SPECIFICATION

- Input Voltage : 130-240V AC
- Power Factor : .95
- Colour Temp : 2700K & 6000K
- LED Life Span : 50,000 hrs
- IP Rating : IP65
- Finish :Silver & Black
- Colour Rendering Index : 85

Model	Wattage	Color Temp.
MW SP 6W	6W	Cool White/Warm White
MW SP 9W	9W	Cool White/Warm White
MW SP 12W	12W	Cool White/Warm White
MW SP 12W	25W	Cool White/Warm White

OUTDOOR LIGHTING



VECTOR

PRODUCT DESCRIPTION

- A multipurpose floodlight for the lighting of both outdoor and indoor installations wherever a compact design, and a high degree of protection is required.
- Excellent optical system providing optimum lighting performance.

TECHNICAL SPECIFICATION

- Input Voltage : 130-240V AC
- Power Factor: >.95
- Efficiency : >90%
- LED Life Span : 50,000 hrs
- IP Rating : IP65
- Surge Protection : Upto 7.5KVA
- Beam Angle : Wide & Medium
- Lumen Output : >100lm/W
- LED : High Power LED

Model	Wattage	Color Temp.
MW FL 24	24	Cool White
MW FL 30	30	Cool White
MW FL 60	60	Cool White
MW FL 90	90	Cool White
MW FL 120	120	Cool White
MW FL 150	150	Cool White
MW FL 200	200	Cool White



GEWN

PRODUCT DESCRIPTION

- Small size Dome shape surface mounted high bay side throw light distribution for power LED lamp designed for lighting of sports facilities, warehouses, factories and under canopy lighting.

TECHNICAL SPECIFICATION

- Input Voltage : 130-240V AC
- Power Factor: >.95
- Efficiency : >90%
- LED Life Span : 50,000 hrs
- IP Rating : IP65
- Surge Protection : Upto 7.5KVA
- Beam Angle : Symetric
- Lumen Output : >100lm/W
- LED : High Power LED

Model	Wattage	Color Temp.
MW HB 50	50	Cool White
MW HB 80	80	Cool White
MW HB 120	120	Cool White
MW HB 160	160	Cool White

APOLLO

SOLAR STREET LIGHT



PRODUCT DESCRIPTION

- Solar based streetlight system with batteries .This stand-alone solar system consist of photovoltaic module and LED luminaires
- The use of solar power coupled with energy-efficient luminaires make this doubly environment friendly.it can be designed for dusk to dawn operations with the required number of days of autonomy.

TECHNICAL SPECIFICATIONS

- Type of Product : LED Street Light
- Operation Hours : Dusk To Dawn
- Accessories : Internal Charge Controller
- LED Life Span : 50,000 hrs
- IP Rating : IP65
- Colour Rendering Index : 85
- Solar Charging - full sunlight : 8Hrs

Model	Wattage	Color Temp.
MW DCSL 12	12W	Cool White
MW DCSL 15	15W	Cool White

DECO RATIVE



KONE / BAY

PRODUCT DESCRIPTION

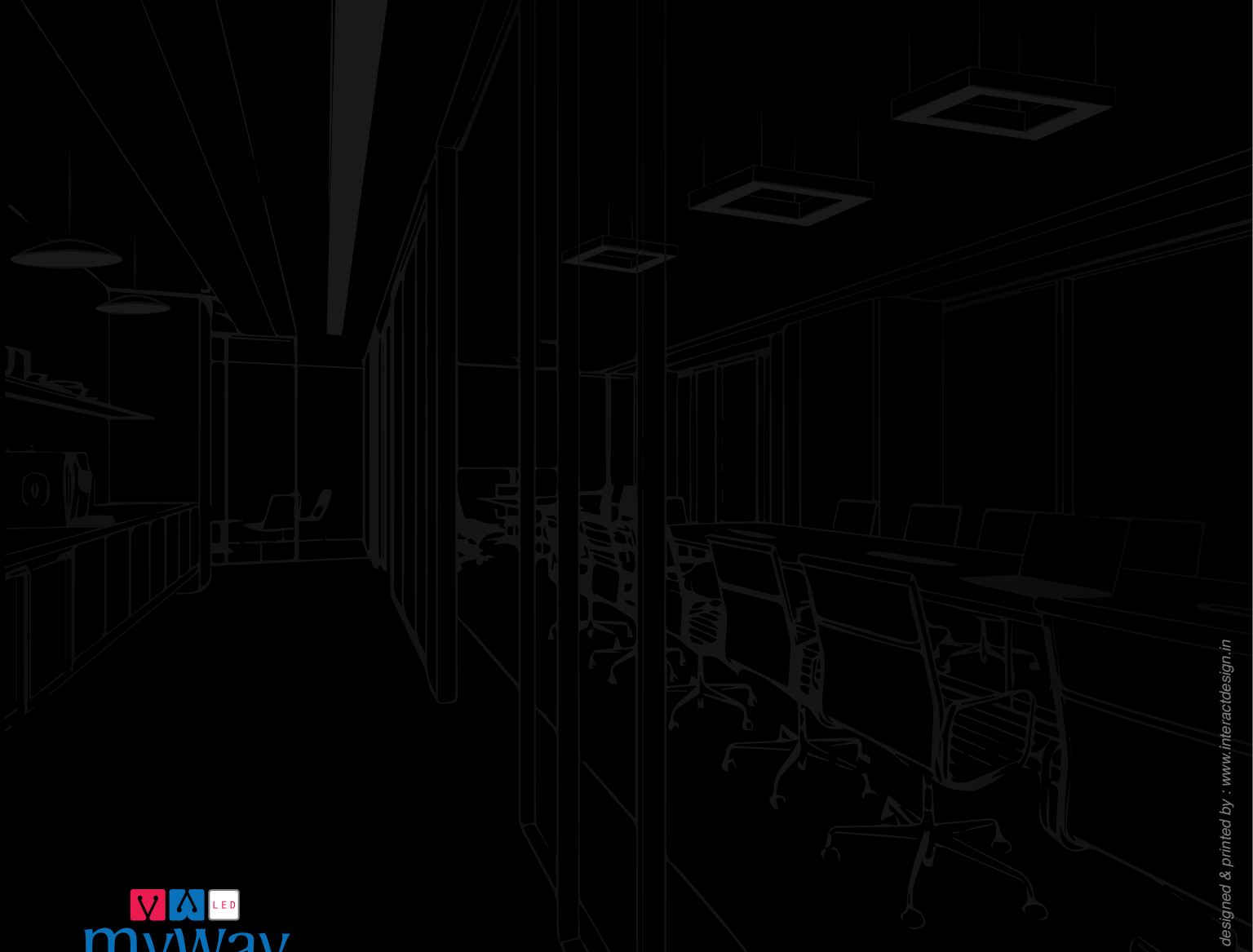
- Pendant luminaire
- 6W, 9W, 12W LED bulb
- Direct light distribution, body in aluminum powder coated orange outside & white inside,
- Integral HF electronic control gear
- IP40, Ø=450mm; H=250mm





satya developer





RAVI Renewable Energy & Lighting India Pvt Ltd
Corp Office : Plot 49, 1st Floor, Udyog Vihar, Phase -4
Gurugram, Haryana -122015

Email : info@mywaylights.com
Web : www.mywaylights.com